



Key Features

- Simple wall- or rack-mountable control interface
- Designed primarily for stage management and maintenance personnel
- Custom user interface screens
- Three modes: move, job, cue
- Individual logins for customized levels of access

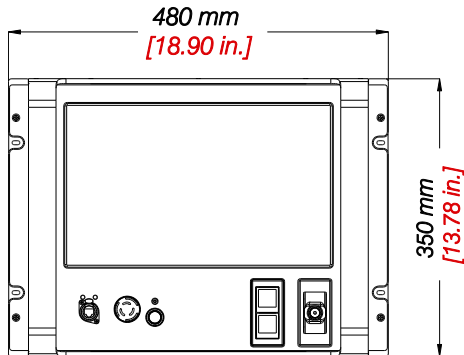
Description

TAIT's NAV:Atlas is a control interface designed primarily for stage management and maintenance personnel. It can be wall- or rack-mounted and operates any equipment connected to NAV:Net. Custom user interface screens show relevant functions for different types of operators and access levels, turning a complex system in a simple user interface.

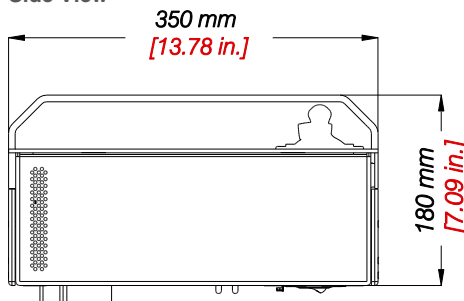
Three modes are available: move, jog and cue. Move mode sends an axis or group of axes to a precise location. Jog mode allows the user to manually move an axis or group of axes. Cue mode programs simple cues with an axis or group of axes. ESA function slows a system with five axes or less to be run without any other control hardware.

Dimensions

Front View



Side View



Specifications

Display	15. in touchscreen
Channels	1 (single axis jog wheel and dual display buttons)
Input Power	100-240 VAC 50/60 Hz, 5A Max
Enable Inputs	1
NAV:Net Ports	2 (1 PoE 802.3 at 30 W)
Estop Buttons	1