



Key Features

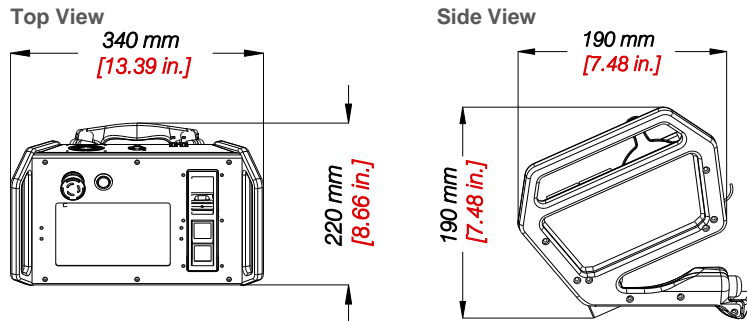
- Navigator-embedded handheld device
- Allows remote control of devices connected to Navigator Automation System™
- Portable console with ergonomic design
- Simple interface
- Individual logins allow customized level of access
- Three modes available

Description

TAIT's NAV:Compass is a Navigator-embedded, handheld device that allows for remote control of devices connected to the Navigator Automation System™. It features a simple interface for operating any equipment connected to NAV: Net and individual logins allow for customized levels of privileges that control access. Custom user interface

screens show relevant functions for different types of operators and access levels. Three modes are available: move, jog and cue. Move mode sends an axis or group of axes to a precise location. Jog mode allows the user to manually move an axis or group of axes. Cue mode programs simple cues with an axis or groups of axes.

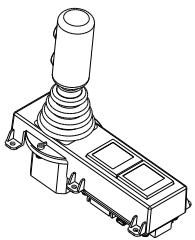
Dimensions



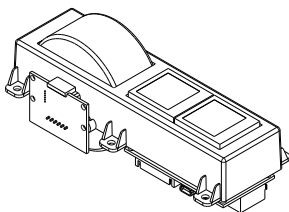
Specifications

Display	7 in. touchscreen
Channels	See options below
Estop Buttons	1
Input Data/Power	Power over Ethernet 802.3 at 30W
Enable Inputs	1
Dimensions	340 mm (13.39 in.) x 220 mm (8.66 in.) x 190 mm (7.48 in.)

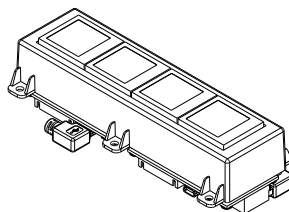
Channel Options



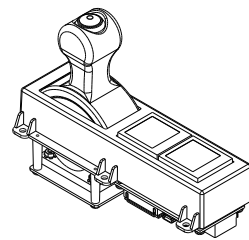
2 Axis Joystick



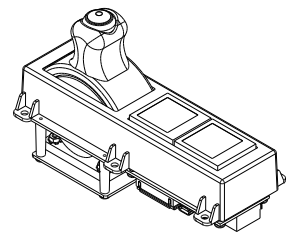
Encoder Wheel



Quad Display



Single Axis Joystick



Single Axis Joystick Low Pro