



## Key Features

- Five channels allow five independent cues to run simultaneously
- Flexible channel options to customize inputs
- Modular series design
- Integrated device with onboard server (NAV:Node) and user interface (NAV:GUI)
- NAV:NET connection removes need for dedicated Estop cable
- Ability to pre-program shows
- Protective glass cover
- Rackmount option available

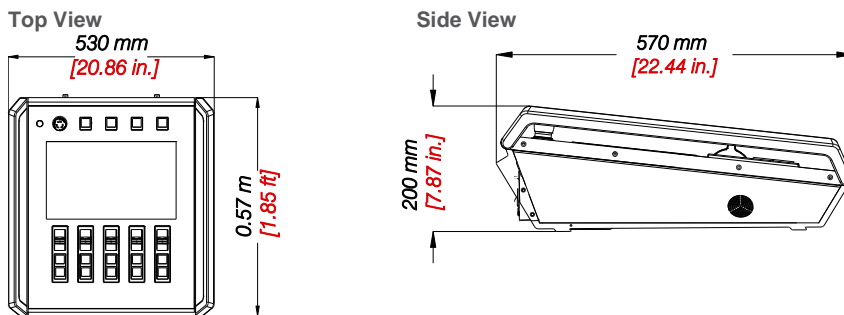
## Description

TAIT's NAV:Polaris is a modular, networked console that can operate with multiple Polaris consoles or as a standalone console. It features a large touchscreen interface and a multitude of channel options. The flexible channel options allow users to customize inputs, creating

the ideal programming and show interface for each specific show.

Users have the ability to pre-program shows with integrated 3D previsualization to allow for offline previewing, editing and exporting of movies.

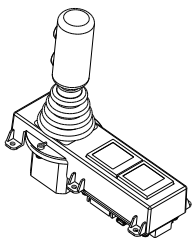
## Dimensions



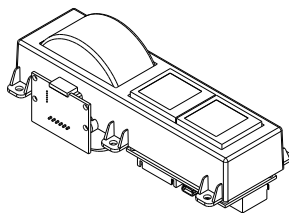
## Specifications

Display	15. in touchscreen
Channels	5 (see options below)
Estop buttons	1
Display Macro Buttons	4
Input Power	110-240 VAC 50/60 Hz
Enable Inputs	1
Front/Rear USB	1/2
NAV:NET Ports	2
Lamp Outputs	2
Monitor Outputs	2 HDMI
Dimensions	530 mm (20.86 in.) x 0.57 m (22.44 in.) x 200 mm (7.87 in.)

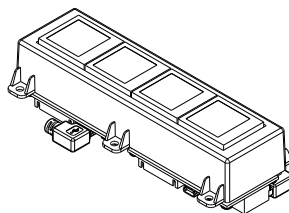
## Channel Options



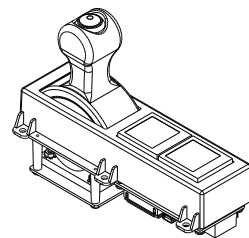
2 Axis Joystick



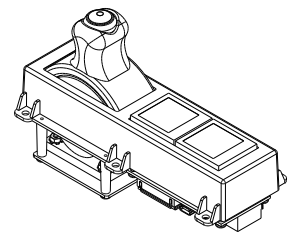
Encoder Wheel



Quad Display



Single Axis Joystick



Single Axis Joystick Low Pro